

ACP301_BSD Side-View Camera Specifications



Applicable Models: MD600/MD833H

Change History


File Name	ACP301_BSD Side-View Camera Specifications		
Project	MD600/MD833H	Creation Date	2024-08-09
Subproject	Accessory Specifications	Total Pages	5
Version	V1.0	Confidential	External Documentation

Contents

1 Copyright and Disclaimer.....	- 4 -
2 Product Specification.....	- 4 -
3 Enclosure Structure Diagram	- 5 -

1 Copyright and Disclaimer

Copyright © 2024 MEITRACK. All rights reserved.

MEITRACK and  are trademarks that belong to Meitrack Group.

The user manual may be changed without notice.

Without prior written consent of Meitrack Group, this user manual, or any part thereof, may not be reproduced for any purpose whatsoever, or transmitted in any form, either electronically or mechanically, including photocopying and recording.

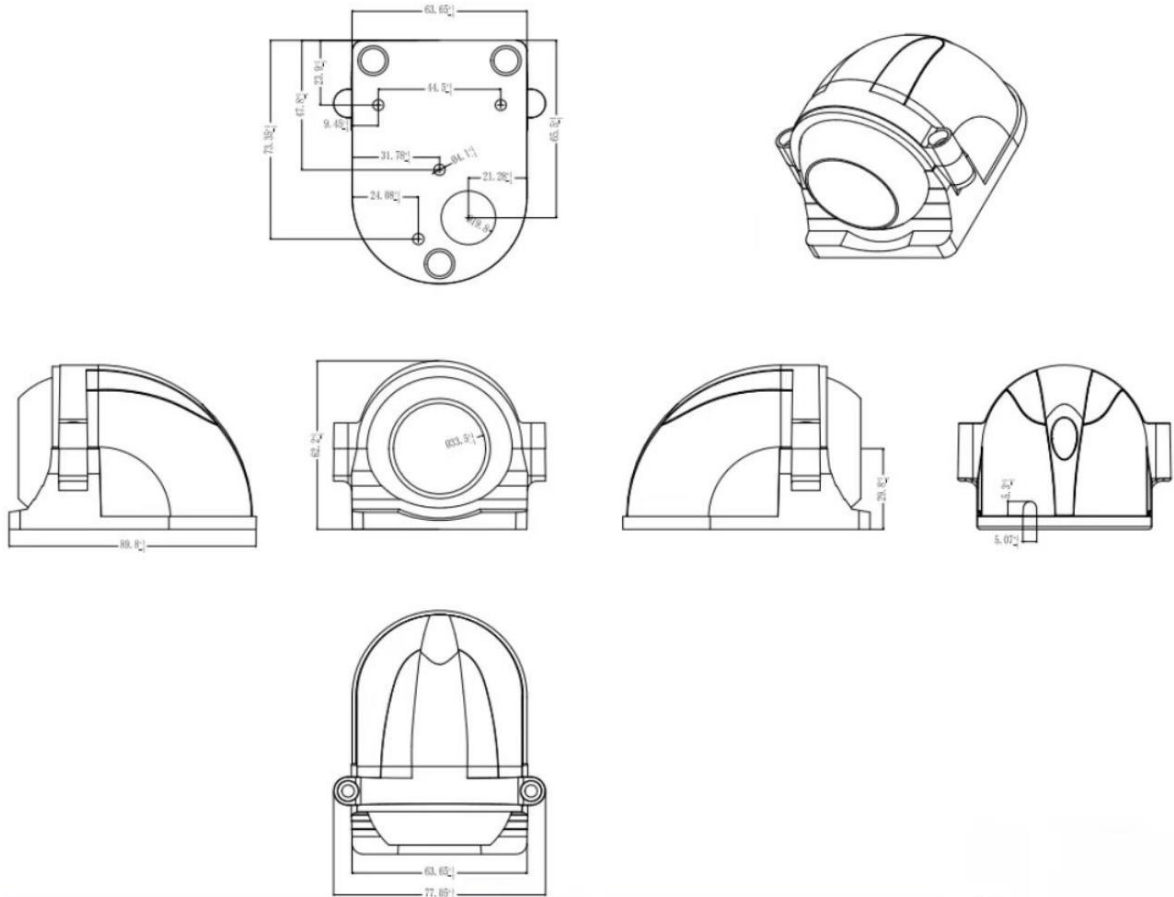
Meitrack Group shall not be liable for direct, indirect, special, incidental, or consequential damages (including but not limited to economic losses, personal injuries, and loss of assets and property) caused by the use, inability, or illegality to use the product or documentation.

2 Product Specification

Item	Specifications
Model	ACP301_BSD Side-View Camera
Image Sensor/ Module Type	FH8536H+1/2.9 GC2053
Resolution	AHD 720P
Formality	PAL
Total pixels	PAL:1280(H)×720(W)
Minimum illumination	0.01Lux
Electronic shutter	PAL: 1/50~ 1/100,000s
Signal-to-noise ratio	> 52dB
White balance	Auto
Day/Night Switching Function	Color
Pigtail length	500CM
Waterproof rating	IP67
Audio	No
Infrared light	No
Video output	1.0Vp-p composite output, 75Ω
Lens	3.6MM
Angle	Horizontal 90°
Port	M12 four-core aircraft head interface, with waterproof rubber sleeve, line card
Power	DC 12V±10%
Operating current	≤80MA
Operating temperature	-20℃~70℃
Operating humidity	Relative humidity below 90%
Package	Accessories screw package, certificate of conformity

3 Enclosure Structure Diagram

The dimensions of the main structure are shown as following. The unit is millimeters.



If you have any other questions, please send an email to our email address info@meitrack.com We will wholeheartedly serve you.